



*Beyond fire...*

## **COMBINED FAN INSTALLATION INSTRUCTIONS FOR OSBURN MODELS 1000, 1100 & 1600 WOODSTOVES**

### **COMBINED INSTRUCTIONS**

1. Do not operate the fan or plug it in without the fan being permanently installed on the stove (fire).
2. When the fan is in place, the electrical cord should be routed as close to the floor as possible and outside the hearth, away from the unit and wall clearances. Route the electrical cord away from the unit to prevent damage to the cord insulation. Plug into a standard three prong 110-volt outlet or a 240-volt outlet for use in Australia.
3. Make sure that the fire in the stove is out, and it has cooled down to room temperature before any maintenance.
4. Follow normal instructions to continue burning.

### **OSBURN 1000**

1. Install the two formed mounting plates onto the fan housing as shown in figure 1 and fasten with the four provided screws (a) through the holes as indicated.
2. Remove the two bottom heat shield screws (b) and locate the fan and mounting plate assembly between the inside of the heat shield and the two heat shield spacers as shown in figure 2.
3. Replace the heat shield screws through the heat shield holes, the mounting bracket slots and into the spacers to secure the assembly.

### **OSBURN 1100**

1. Install the two formed mounting plates onto the fan housing as shown in figure 3 and fasten with the four provided screws through the holes as indicated.
2. Align the holes of the mounting plate with the holes on the outside of the heat shield and fasten with the two provided screws as shown in figure 4.
3. For insert applications, turn the fan switch to the high speed position before installation.

### **OSBURN 1600**

1. Install the two formed mounting plates onto the fan housing as shown in figure 1 and fasten with the four provided screws (a) through the holes as indicated.
2. Align the holes of the mounting plate with the holes on the outside of the heat shield and fasten with the two provided screws as shown in figure 5 and 6.



## OPERATION

### FAN CONTROL

#### **NORTH AMERICA**

The fan control is variable speed (rheostat).

#### **AUSTRALIE**

The fan control is an « ON / OFF » switch.

### MAINTENANCE & CARE

Clean the fan air inlet screen regularly. The fan should be kept clean and dust free. Life of the fan will be shortened if operated in a dust filled environment or if restricting air supply overheats the fan. Stalling the rotor or over firing the stove or insert with the fan turned off will also damage the fan. The fan must not be overheated nor disassemble. ***“ALTERING OR TAMPERING WITH THE FAN WILL VOID THE WARRANTY”.***

### ONE YEAR LIMITED WARRANTY

SBI guarantees to the original consumer that the fan will be free of defects in materials or workmanship for one year from the original purchase.

***THIS LIMITED WARRANTY IS MADE IN LIEU OF ALL OTHER WARRANTIES, EXPRESSED OR IMPLIED AS TO QUALITY, MERCHANTABILITY, OR FITNESS FOR PARTICULAR PURPOSES.***

No one is authorized to make any warranty other than the above limited warranty, nor to make any representations other than those set forth in the brochures of SBI.

The foregoing shall constitute the exclusive remedy of the purchaser and the sole obligations of the company. SBI assumes no responsibility for incidental or consequential damage arising from a defective product.

The appliance is only warranted for the use as intended by the installation and operating instructions, and the warranty will not cover damage due to misuse, over firing, or improper use of fuel. Any defect or damage to the appliance should be reported as soon as possible to avoid consequential or further damage.

SBI shall not be liable for damages due to improper installation, or for removal and reinstallation of the appliance itself for fan servicing. Fans are to be returned to the factory prepaid with proof of purchase.

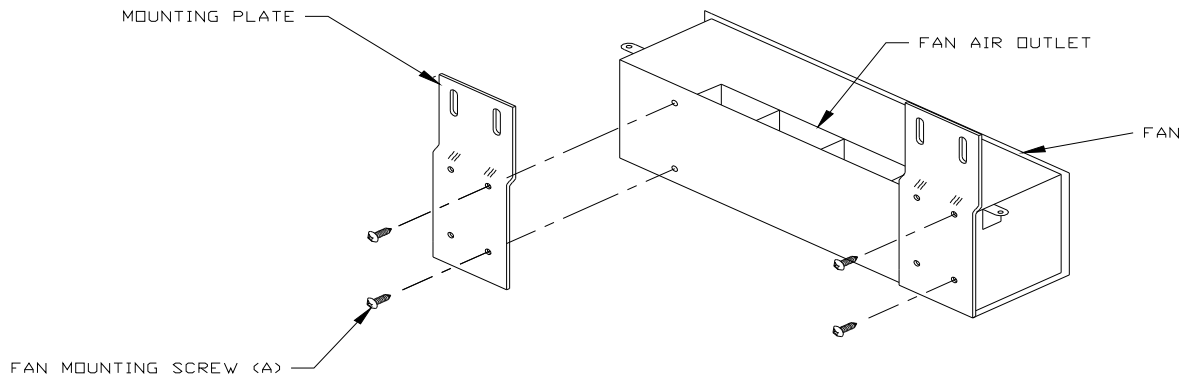


Figure 1

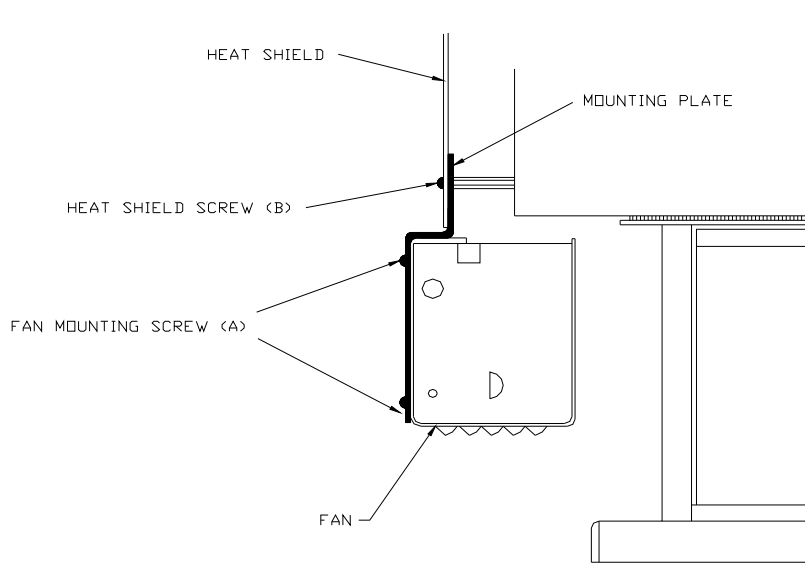


Figure 2

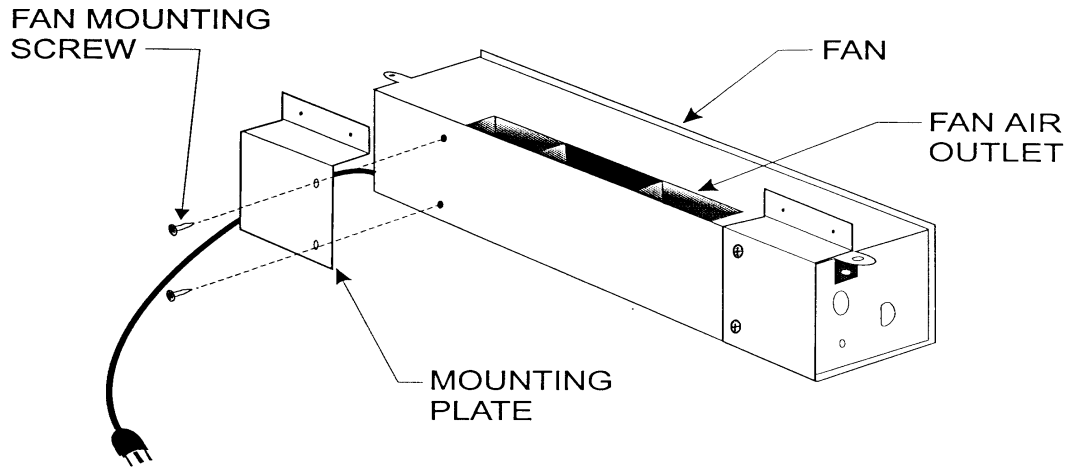


Figure 3

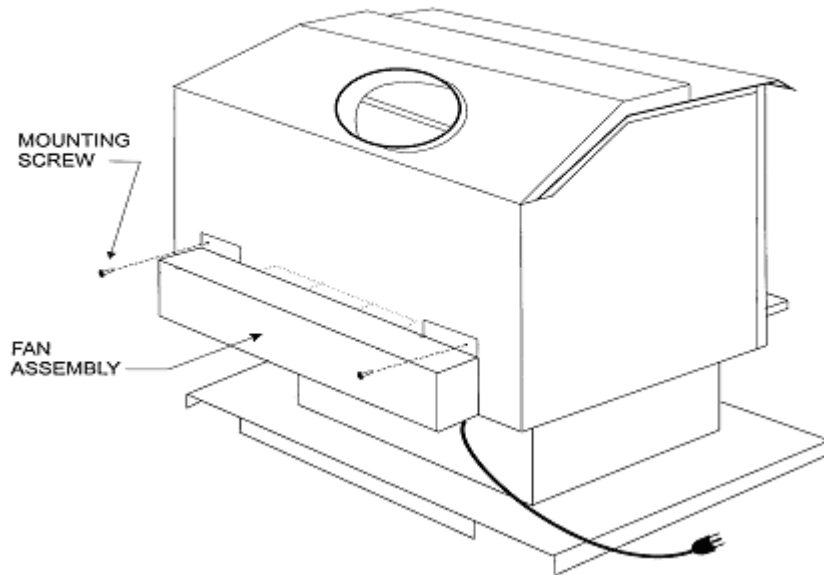
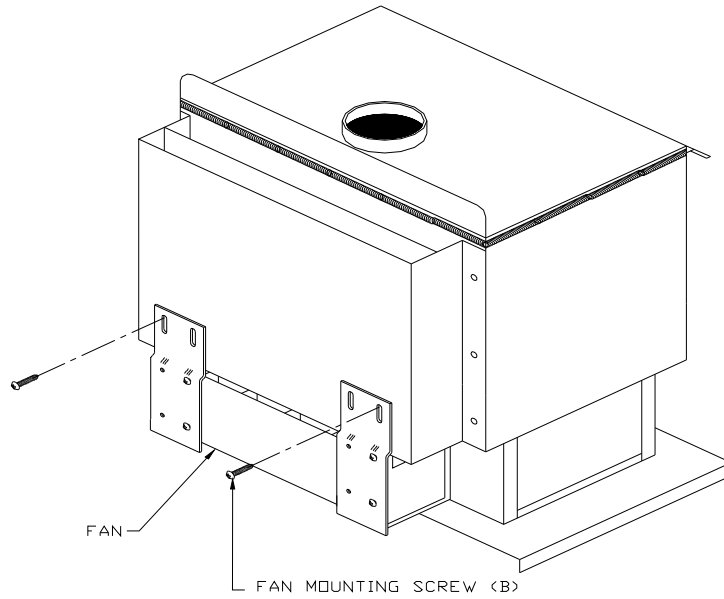


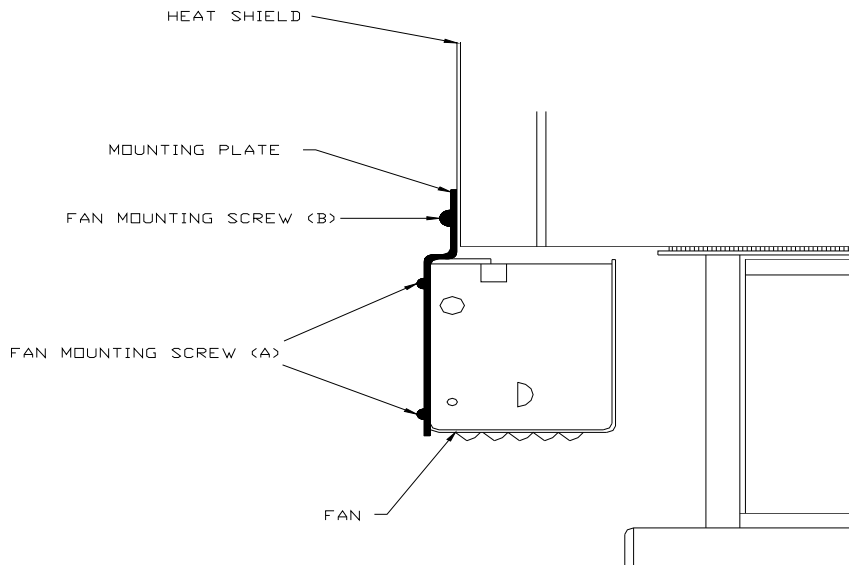
Figure 4



*Beyond fire...*



**Figure 5**



**Figure 6**